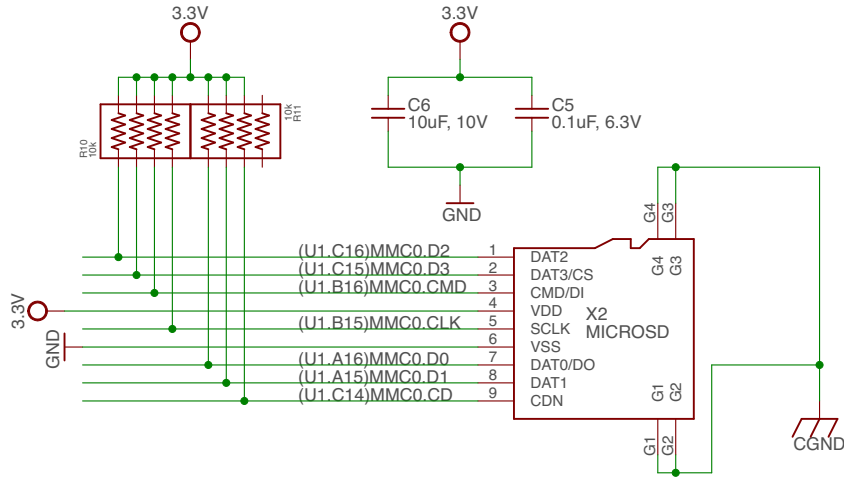
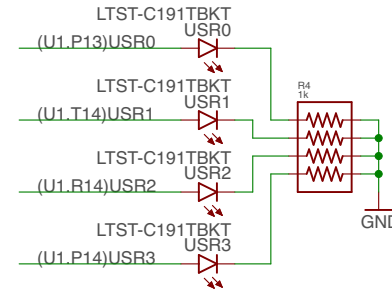




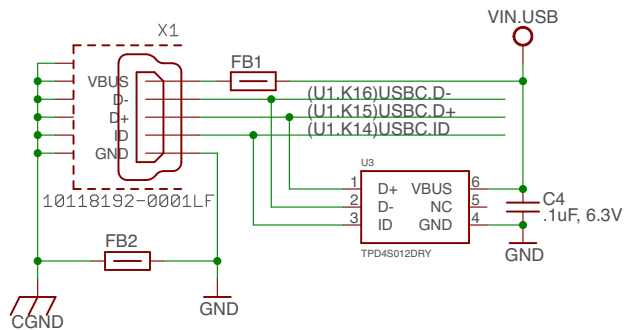
# uSD Connector



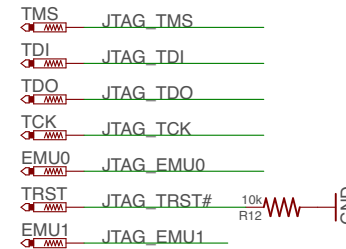
# USER LEDs



# USB Device



# JTAG Pads



Prototyped by: GHI Electronics, LLC



PocketBeagle  
Peripheral  
Connectors

TITLE: PocketBeagle

Document Number:  
POCKETBEAGLE-NOLOGO

REV:  
A2

Date: 9/19/17 8:57 PM

Sheet: 1/1

1

2

3

4

5

6

A

A

B

B

C

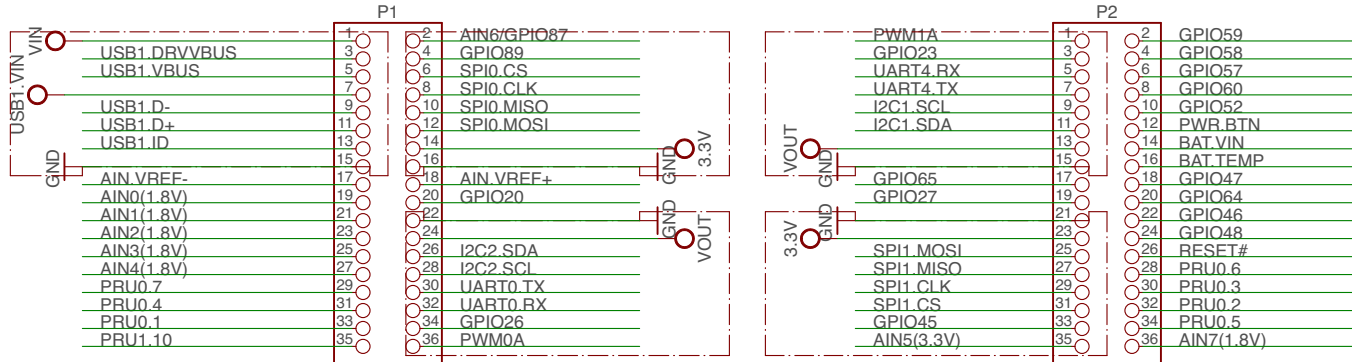
C

D

D

E

E



Prototyped by: GHI Electronics, LLC



PocketBeagle Header Signals

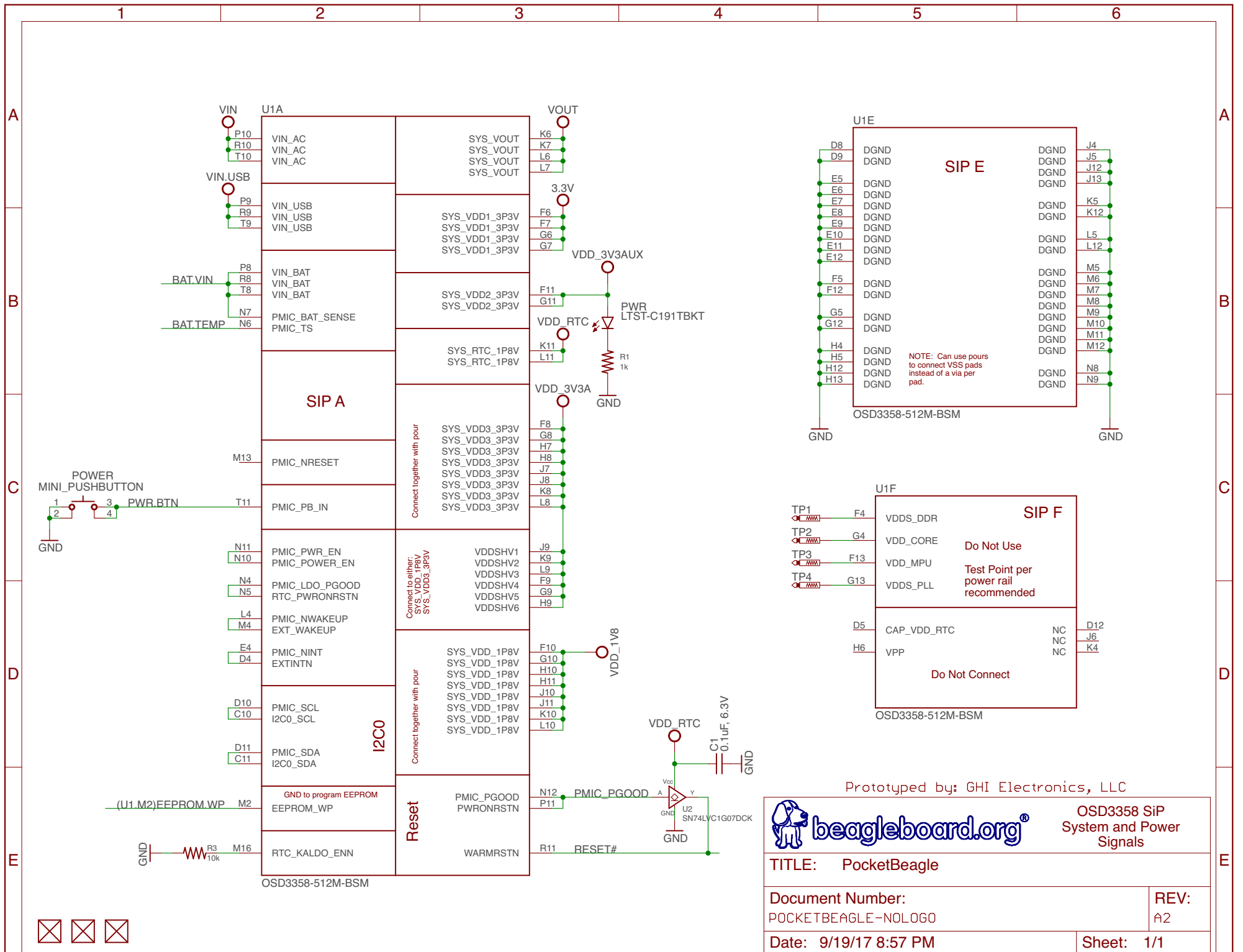
TITLE: PocketBeagle

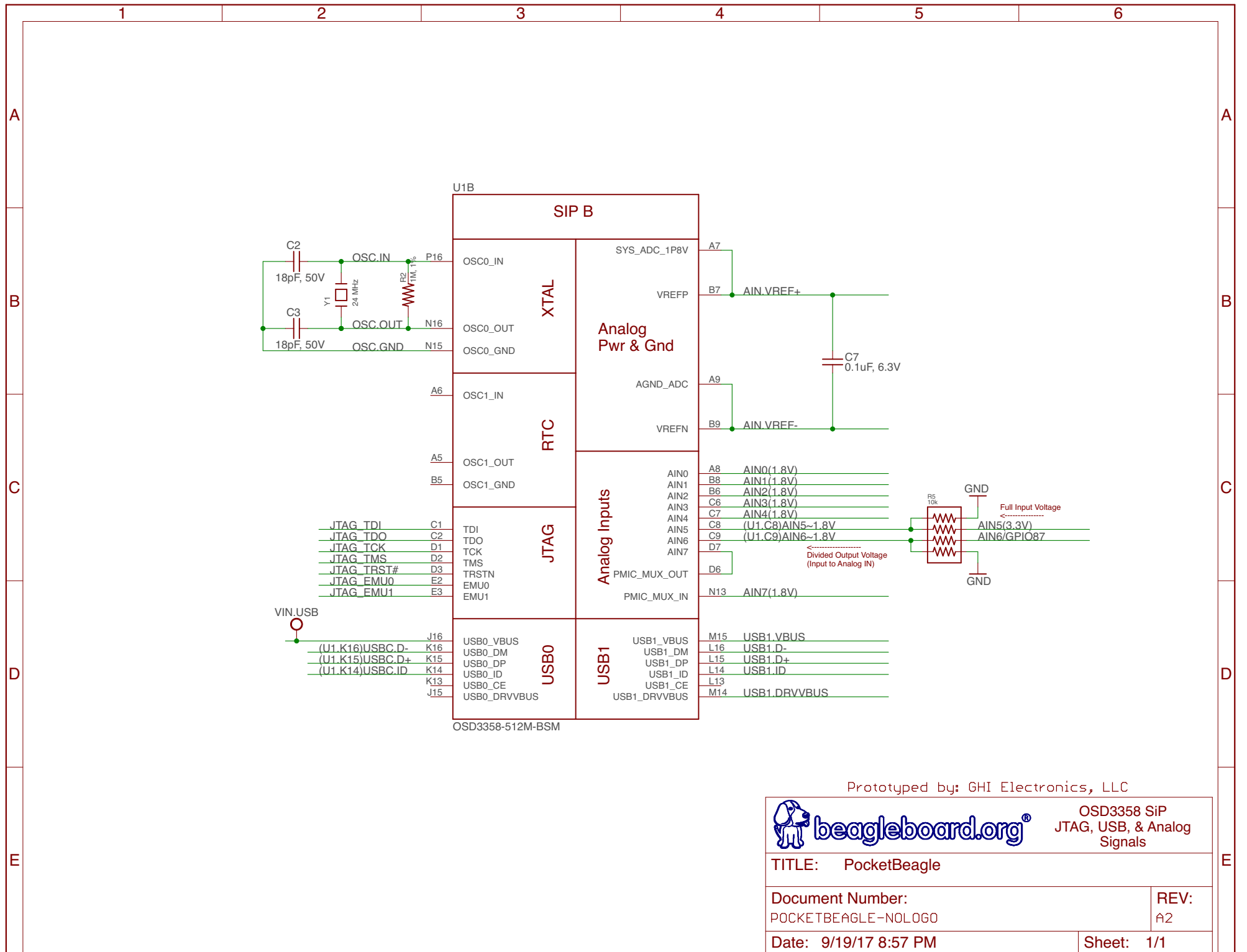
Document Number: POCKETBEAGLE-NOLOGO

REV: A2

Date: 9/19/17 8:57 PM

Sheet: 1/1





Prototyped by: GHI Electronics, LLC



OSD3358 SiP  
JTAG, USB, & Analog  
Signals

TITLE: PocketBeagle

Document Number:  
POCKETBEAGLE-NOLOGO

REV:  
A2

Date: 9/19/17 8:57 PM

Sheet: 1/1

